

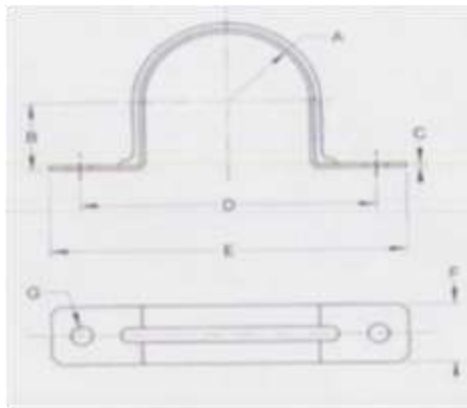


Atlanta, Georgia

Phone 800-521-7326

Fax 770-745-1333

2 Hole Rigid Conduit Straps Zinc



Peco

Catalog#	Size	A	B	C	D	E	F	G
MBRIG2HS12	1/2	.420	.390	.035	1.875	2.500	.625	.188
MBRIG2HS34	3/4	.525	.500	.035	2.250	2.875	.688	.188
MBRIG2HS1	1	.655	.620	.048	2.625	3.375	.750	.250
MBRIG2HS114	1-1/4	.830	.800	.048	3.437	4.188	.875	.250
MBRIG2HS112	1-1/2	.950	.920	.060	3.812	4.625	.937	.250
MBRIG2HS2	2	1.185	1.150	.060	4.250	5.125	1.000	.375
MB2HS212	2-1/2	1.437	1.400	.075	4.875	5.875	1.000	.375
MB2HS3	3	1.750	1.700	.075	5.500	6.500	1.000	.375
MB2HS312	3-1/2	2.000	1.950	.075	6.375	7.375	1.000	.437
MB2HS4	4	2.250	2.200	.075	7.000	8.000	1.000	.437

Material: G-60 Steel

Peco Fasteners specification sheets are a reference guide to help in the selection of fasteners. Peco has made every effort to ensure the accuracy of the information. However, Peco Fasteners is not responsible for any errors that may be contained within these sheets. Peco Fasteners makes no claim of warranty in the accuracy of this information. Users of this information are solely responsible for protecting themselves against liability. It is solely the responsibility of the purchasers and users of these fasteners to consult with Engineers that are experts in an applicable field. Peco Fasteners is not responsible for any loss, claim, or damage due to these specification sheets.

8/27/2014