

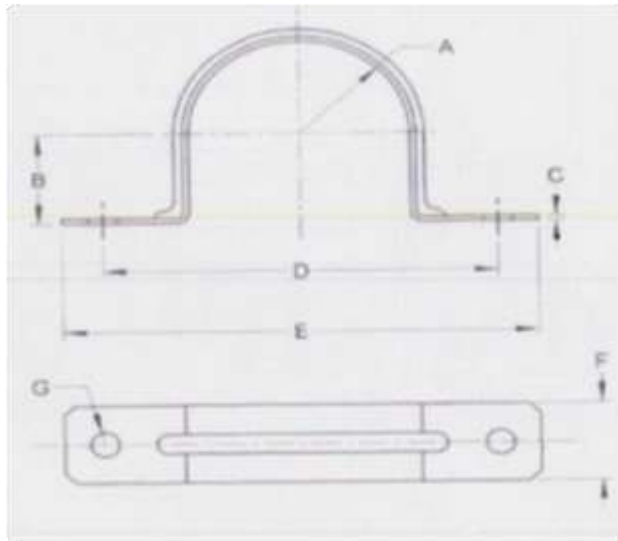


Atlanta, Georgia

Phone 800-521-7326

Fax 770-745-1333

2 Hole EMT Straps Zinc



Peco

| Catalog# | Size | A | B | C | D | E | F | G |
|-------------|-------|------|------|-----------|------|------|------|------|
| MBEMT2HS12 | 1/2 | .35 | .32 | .028-.032 | 1.56 | 2.00 | .50 | .188 |
| MBEMT2HS34 | 3/4 | .46 | .42 | .028-.032 | 2.00 | 2.43 | .56 | .188 |
| MBEMT2HS1 | 1 | .58 | .55 | .028-.032 | 2.24 | 2.68 | .62 | .188 |
| MBEMT2HS114 | 1-1/4 | .75 | .71 | .033-.038 | 2.75 | 3.50 | .75 | .250 |
| MBEMT2HS112 | 1-1/2 | .87 | .82 | .033-.038 | 3.32 | 4.12 | .87 | .250 |
| MBEMT2HS2 | 2 | 1.10 | 1.05 | .043-.050 | 3.87 | 4.75 | 1.00 | .375 |

Material: G-60 Steel

Peco Fasteners specification sheets are a reference guide to help in the selection of fasteners. Peco has made every effort to ensure the accuracy of the information. However, Peco Fasteners is not responsible for any errors that may be contained within these sheets. Peco Fasteners makes no claim of warranty in the accuracy of this information. Users of this information are solely responsible for protecting themselves against liability. It is solely the responsibility of the purchasers and users of these fasteners to consult with Engineers that are experts in an applicable field. Peco Fasteners is not responsible for any loss, claim, or damage due to these specification sheets.

8/27/2014