



Atlanta, Georgia

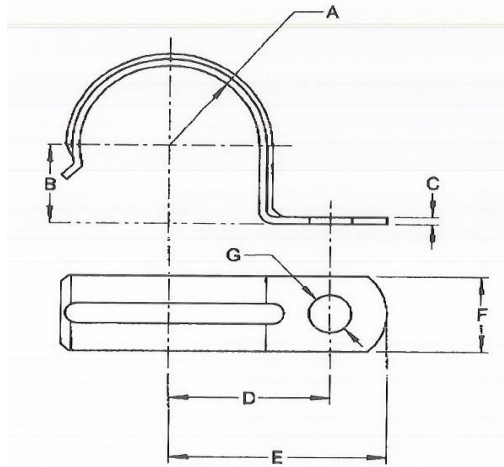
Phone 800-521-7326

Fax 770-745-1333

1 Hole Strap - Rigid Pipe

Made Of C-1008 Steel

Zinc Plated



Peco Catalog#	Pipe Size	A	B	C	D	E	F	G
MBRIG1HS12	1/2	.420	.390	0.0750	.937	1.375	.625	.250
MBRIG1HS34	3/4	.525	.500	0.0900	1.031	1.562	.750	.250
MBRIG1HS1	1	.655	.620	0.0900	1.250	1.812	.875	.312
MBRIG1HS114	1-1/4	.830	.800	0.1000	1.500	2.000	.875	.375
MBRIG1HS112	1-1/2	.950	.920	0.1250	1.875	2.500	1.000	.437
MBRIG1HS2	2	1.185	1.150	0.1250	2.125	2.750	1.125	.562
MBRIG1HS212	2-1/2	1.437	1.400	0.1500	2.562	3.312	1.250	.562
MBRIG1HS3	3	1.750	1.700	0.1500	2.875	3.625	1.250	.562
MBRIG1HS312	3-1/2	2.000	1.950	0.1800	3.250	4.000	1.250	.562
MBRIG1HS4	4	2.250	2.200	0.1800	3.500	4.250	1.250	.562

Peco Fasteners specification sheets are a reference guide to help in the selection of fasteners. Peco has made every effort to ensure the accuracy of the information. However, Peco Fasteners is not responsible for any errors that may be contained within these sheets. Peco Fasteners makes no claim of warranty in the accuracy of this information. Users of this information are solely responsible for protecting themselves against liability. It is solely the responsibility of the purchasers and users of these fasteners to consult with Engineers that are experts in an applicable field. Peco Fasteners is not responsible for any loss, claim, or damage due to these specification sheets.